

porodo | CHOOSE THE BEST



3 - Axis Anti
shake Gimbal P5

P D - 3 A X G M P 5

Table of Content

Disclaimer and Warning -----	p.01
Glossary -----	p.01
Before You Start -----	p.02
Safety Guidelines -----	p.02
Warning -----	p.02
Caution -----	p.03
Notice -----	p.03
Important Notes -----	p.04
Schematic view -----	p.05
Powering the Device -----	p.06
Charging -----	p.06
Folding/Unfolding the Device -----	p.07
Installing/Balancing the Smartphone -----	p.08
User Interface -----	p.09
Charging Indicator -----	p.09
App Connectivity -----	p.09
Specifications -----	p.09
Packing Items -----	p.11
Warranty -----	p.11
Contact Us -----	p.11

Disclaimer and Warning

Congratulations on purchasing this product. The information in this document highlights your safety and legal rights and responsibilities. It's crucial to read this document thoroughly before use to ensure proper setup and safe operation. Failure to adhere to the instructions and warnings provided by manufacturer may lead to serious injury to yourself or others, damage to the product, or damage to other objects in the vicinity.

By using this product, you acknowledge that you have read this disclaimer and warning. You understand and agree to comply with the terms and conditions set forth, acknowledging that you are solely responsible for your actions while using this product. You agree to use this product for its intended purposes, in line with all applicable laws, rules, regulations, and all terms, precautions, practices, policies, and guidelines we have made and may make available.

Glossary

WARNING: Not following the procedures correctly could result in property damage, collateral damage, and serious injuries.

CAUTION: Failing to properly follow instructions could lead to property damage and serious injury.

NOTICE: Failing to properly follow instructions could lead to property damage and a minor possibility of injury, or there may be no injury risk.

Before You Start

It is crucial to read and understand all instructions and warnings in the user manual before assembling, setting up, or using the product to ensure its correct operation and to avoid damage or injury. If you have any questions or problems during the installation, maintenance, or use of this product, please contact us.

Safety Guidelines

Ensure you are well-informed about the product's features by reading the user manual before starting to use the product. Incorrect operation can lead to damage to the product or property, or cause serious injury. It is imperative to operate this product responsibly to avoid harm. This product is not suitable for use by children without adult supervision.

Warning

Ensure you are well-informed about the product's features by reading the user manual before starting to use the product. Incorrect operation can lead to damage to the product or property, or cause serious injury. It is imperative to operate this product responsibly to avoid harm. This product is not suitable for use by children without adult supervision.

Caution

1. Handle the stabilizer carefully to prevent damage to its intricate components.
2. Ensure nothing hinders the motion of the gimbal when it is powered on.
3. The stabilizer is not waterproof, so avoid using any liquids for cleaning.
4. Keep the device away from sand and dust to protect the sensors in the motors.

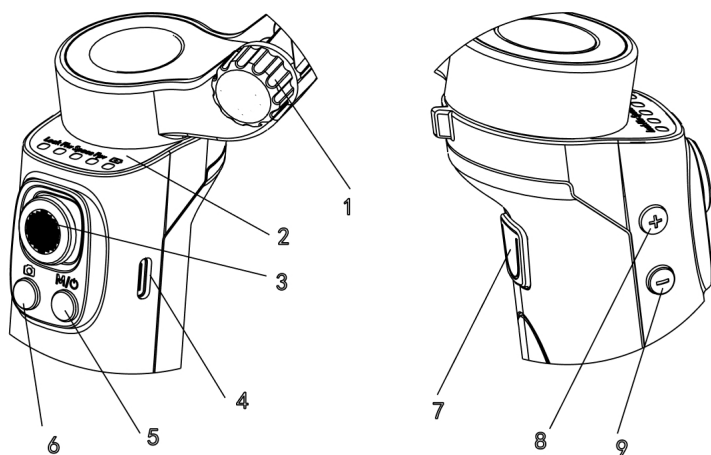
Notice

1. Unplug the product when it's fully charged.
2. Discharge the battery at 40%-65% level if it will not be used for 10 days or more.
3. Fully discharge and recharge the battery every three months to keep it in optimal condition.
4. Refer to the Specifications table in the User Manual for information on device compatibility. An incompatible mobile device may not be balanced and may affect the stabilizer performance.
5. Ensure the stabilizer remains still during power-up.
6. Store the stabilizer correctly when not in use.

Important Notes

- 1.** Charge the stabilizer via USB adapter for 2 hours before first use.
- 2.** Refer to the manual for instructions on correctly installing and balancing the smartphone.
- 3.** Press and hold 3 seconds to power on the stabilizer successfully.
- 4.** Mount the smartphone as indicated by instructions. Check your phone's Bluetooth settings and select the device by the name of "Gimbal Go_XXXXX" to connect. Open "Gimbal Pro" App to use photo/video features.
- 5.** Incorrect installation of smartphone in the holder while the device is powered on puts the stabilizer into standby mode.
- 6.** For Samsung's smart phone shooting mode open the system camera, click on the Settings Icon. Set "Press the Volume Key" item to capture Photo. Press the Shutter Button of the stabilizer to take photos and videos.

Schematic view



1. Folding Knob (Rotate clockwise to lock)

2. System Status Indicator

3. Joystick (Adjust Pan and Tilt Angles)

4. Type-C Charging Port

5. Power/Function Button

Long press: Power ON/OFF.

Single press: Activates Follow mode.

Double press: Activates Lock mode.

Triple press: Activates Dream Space mode.

Quad press: Activates FPV mode.

6. Shutter/Record Button

7. Back Key (1) Single press: Switch from landscape to portrait mode. (2) Double press: Recenter.

8. Wide Angle Button

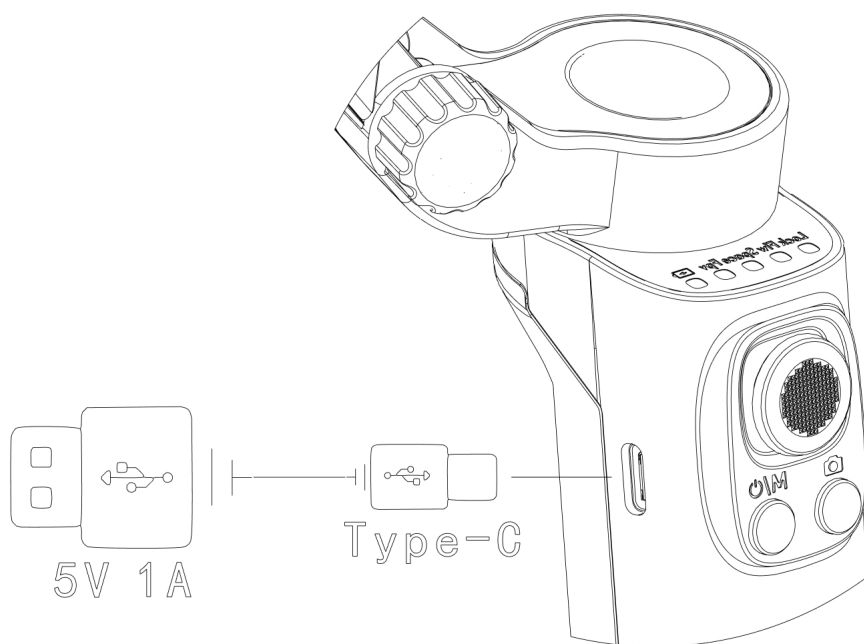
9. Telephoto Button

Powering the Device

ON: Press and hold Power/Function Button for 3 second, wait for all LEDs to turn on, then release the button.

OFF: Press and hold Power/Function Button for 3 second, wait for all LEDs to turn on, then release the button.

Charging

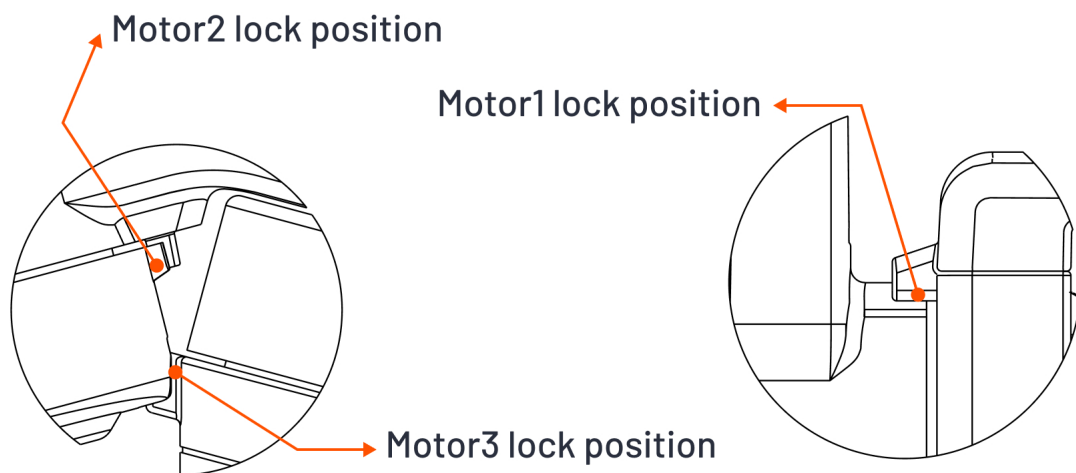
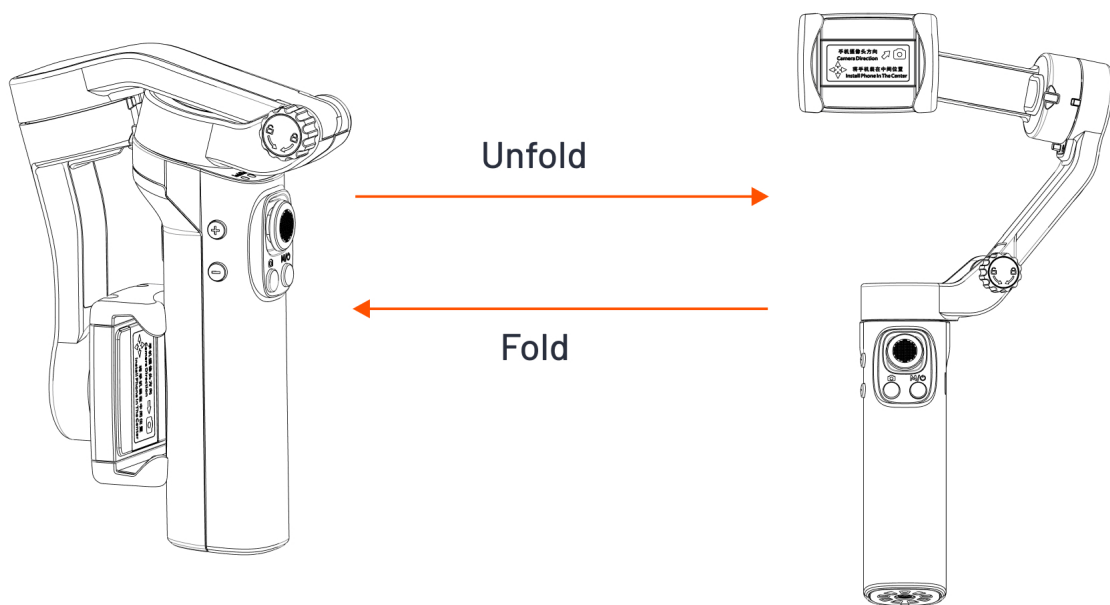


Connect a USB adapter (5V/1A) to the charging port (Type-C USB) using the power cable (included).

LED light: red (Device is charging), Green (Device is fully charged).

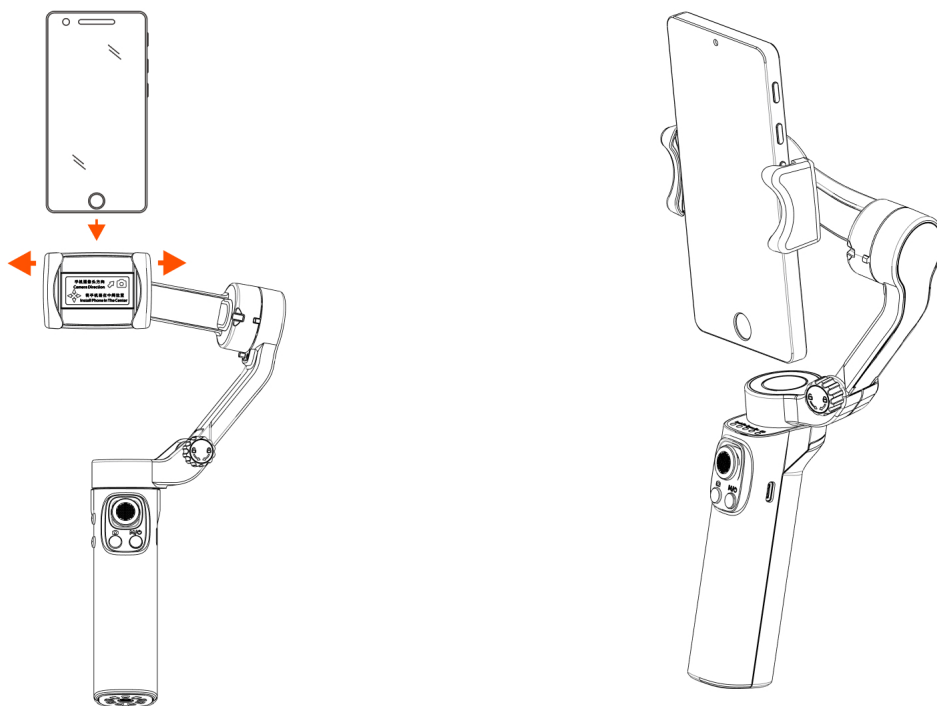
Note: Ensure to employ a safe USB adapter and charge the device in a safe environment.

Folding/Unfolding the Device

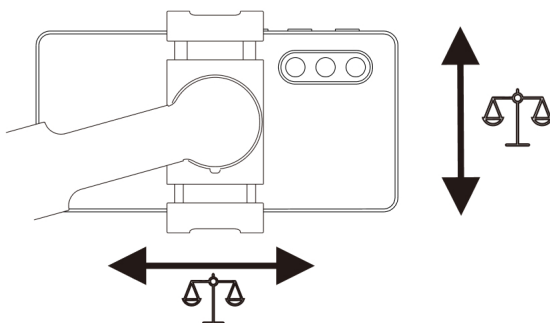


The device is designed to fold to ensure safe storage and more convenient transportation. The Gimbal can be only **ONLY** when powered off. Before folding or unfolding, loosen the folding knob. Once folded or unfolded, secure the device by tightening the knob. Always fold the gimbal prior to attaching the smartphone and turning on the device.

Installing/Balancing the Smartphone

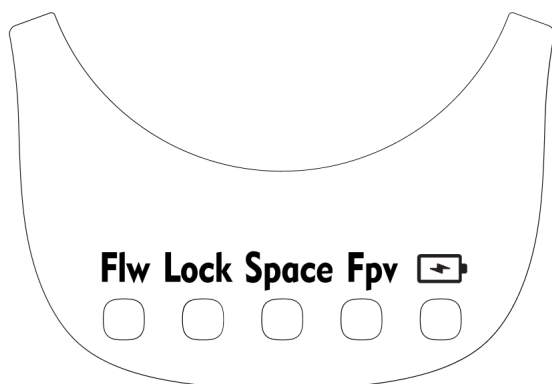


Ensure the phone holder is upright and the device is turned off before attaching a smartphone. It may be necessary to remove the phone's case before installation.



Adhere to the User Manual instructions for installing the phone. Secure the gimbal and adjust the phone in left, right, up, and down directions until the phone is balanced and fixed in the position.

User Interface



1. Flw: Follow mode
2. Lock: lock mode
3. Space: Dream Space mode
4. FPV: First Person View
5. Battery Indicator

Charging Indicator

1. LEDs light up in sequence: Device is still charging
2. All LEDs light up in sequence: Charging is complete

App Connectivity



To install the "Gimbal Pro" App, scan the provided QR code. You can also download the App by searching "Gimbal Pro" in Google Play (Android users) store or App Store (IOS users).

Search for the device name "Gimbal Go_XXXXX". Connect to the device.

  71% Setting & Power

 Shooting Effect

 Flash Light

 Video Effect

 Bluetooth connection

 Face Tracking

 Front/ Rear Camera

 Shoot/Rec

 Photo/Video

 Album

Specifications

Dimensions	252X121X54 mm (Unfold) 148X108X42 mm (Fold)
Weight	290 gr
Power consumption	1.2 W (Ideal condition)
Controllable pan angle	-165° / +165°
Controllable roll angle	-115° / +215°
Controllable tilt angle	-55° / +55°
Max. Speed	150° /s
Compatible smartphone range	Width: 55 to 86 mm Thickness: ≤12 mm Weight: 150 to 260 gr
Battery type	18650 Li-ion Battery - 2200 mAh
Charging port	Type-C USB (5V/1A)
Charging temperature	5°C to 45°C
Working temperature	0°C to 45°C
Charging time	~2 Hr
Working time	~6 to 7 Hr

Packing Items

Warranty

Products that you buy directly from our Porodo website or shop come with a 24-month warranty.

When you buy Porodo products from any of our approved sellers, you only get a 12-month warranty. If you want to extend this warranty, go to our website at <https://porodo.net/warranty> and fill out the form with your information. Don't forget to upload a picture of the product too. After we've checked and accepted your request, we'll send you an email to confirm that your product's warranty has been extended.

For more info, please check:

porodo.net/warranty

Contact Us

If you have any questions about this Privacy Policy, please contact us at info@porodo.net

Website: porodo.net

Service Support: support@porodo.net

Instagram: [porodo](https://www.instagram.com/porodo)